

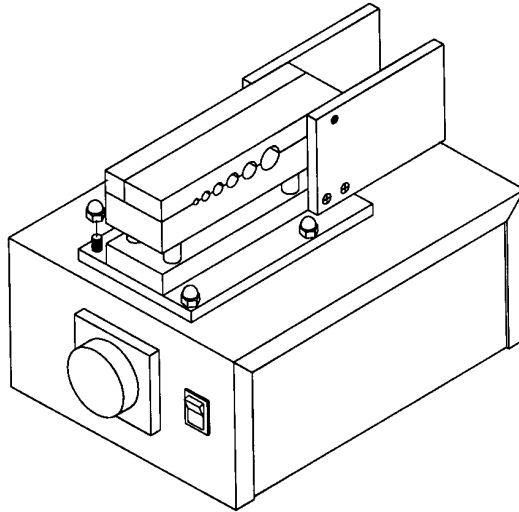


Rubber Seal Fabricators LLC

39 Rose St. Danbury, CT 0681 Ph. 203-748-3317 Fax. 203-790-9909

Mobile Bonder for Heat Bonding Rubber "O" Rings

- The basic unit for Inch cord bonding, handles 7 sizes: .070, .103, .139, .210, .275, .312, and .375 diameters of cord stock.
- The Metric unit handles sizes: 2.0 mm, 2.4 mm, 3.0 mm, 3.5 mm, 4.0 mm, 5.0 mm and 5.7 mm diameters of cord stock.



- A one piece table top unit, hand operated, dies close against each other by a hinge pivot, a spring maintains die closure.
- Die size: Three piece aluminum, 1 1/2 in. wide x 5 in. long.
- Two cartridge heaters, 1 heater in each top and bottom die.
- A lighted analog controller with type 'J' thermocouple provides operation of temperatures up to 400° F.
- Operating Voltage: 115VAC, 250 Watt with a 5 Amp fuse.
- Foot Print: 6 in. x 8 in. with cushioned feet.

Whats in the Package

- Control module with Die-Set
 - Gloves
 - Cleaning brush
 - Applicator brushes
- Molded carrying case
- Instruction booklet

Optional Items

- Digital Thermometer
- Bracket for hanging O-Ring above Die-Set